

## Elite Series

### Vandal-Resistant Dome Color Cameras

**EV-2605-NKEQ** 2.8~11.0mm Varifocal Lens, True Day/Night

**EV-2606-NJEQ** 3.8~9.5mm Varifocal Lens, True Day/Night, 36 IR LEDs (up to 100' range)

**EV-2615-NKEQ** 2.8~11.0mm Varifocal Lens, Digital Noise Reduction (DNR)

**EV-2625-NKEQ** 2.8~11.0mm Varifocal Lens, Wide Dynamic Range (WDR)



Day Night

**EV-2605-NKEQ**

- ▶ True Day/Night Operation
- ▶ 1/3" Sony Super HAD
- ▶ 550 TV Lines
- ▶ Mechanical IR cut filter



Day Night

**EV-2606-NJEQ**

- ▶ 36 IR LEDs
- ▶ 1/3" Sony Super HAD
- ▶ 550 TV Lines
- ▶ Mechanical IR cut filter



DNR

**EV-2615-NKEQ**

- ▶ Digital Noise Reduction
- ▶ 1/3" Sony Super HAD
- ▶ 520 TV Lines
- ▶ On-screen display



WDR

**EV-2625-NKEQ**

- ▶ Wide Dynamic Range
- ▶ 1/3" Pixim DPS Image Sensor
- ▶ 540 TV Lines
- ▶ On-screen display

## All Cameras Incorporate the Following Outstanding Features:

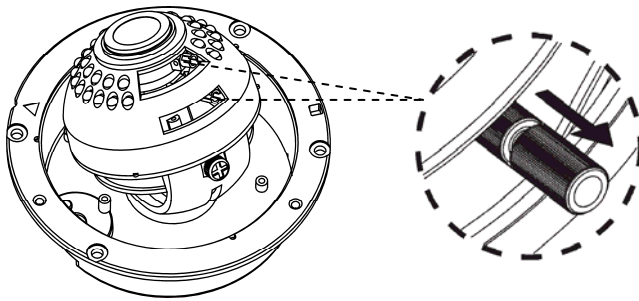
- ▶ Varifocal lens can cover a wide area or focus in on a specific target
- ▶ 360° triple-axis rotation
- ▶ Surface or flush mountable
- ▶ Vandal-resistant and weatherproof
- ▶ Dual Voltage: 12VDC or 24VAC
- ▶ Iris control adjustment built-in
- ▶ Easy adjustment of zoom and focus
- ▶ Service monitor port
- ▶ Corner and Wall Mounts available

## Table 1: Model Comparison:

For a complete list of technical specifications please see Tables 2 and 3.

Model Number	EV-2605-NKEQ	EV-2606-NJEQ	EV-2615-NKEQ	EV-2625-NKEQ
Image sensor	1/3" Sony Super HAD CCD			1/3" Pixim DPS
Resolution	550 TV lines		520 TV lines	540 TV lines
Pickup elements	768 x 494 pixels			720 x 540 pixels
Varifocal lens	2.8~11.0 mm	3.8~9.5 mm	2.8~11.0 mm	2.8~11.0 mm
Minimum illumination	0.03 lux / F1.2	0 lux IR LEDs on	.002 lux / F1.2	.08 lux / F1.2
Power consumption @ 24VAC	Max. 4.8Watts	Max: 12Watts	Max. 5.5Watts	Max. 4.8Watts
Power consumption @ 12VDC	Max. 250mA	Max: 650mA	Max: 220mA	Max: 240mA

## Easy to Use Zoom and Focus Adjustment



The ENFORCER EV-2606-NJEQ and EV-2605-NKEQ feature a unique zoom and focus adjustment system. Two levers, one for zoom and one for focus extend from the camera to smoothly and precisely adjust the focal length and depth.

## Mounting Brackets

The EV-260CM Ceiling-Mount Bracket and EV-260WM Wall-Mount Bracket are designed to easily mount the ELITE Series of Vandal-Resistant Color Dome Cameras:

Ceiling-Mount  
Bracket  
EV-260CM

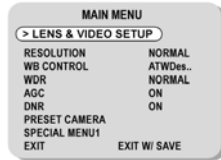


Wall-Mount  
Bracket  
EV-260WM



## On-screen Display and Included Remote Control:

The EV-2615-NKEQ and EV-2625-NKEQ feature an included remote control for programming the cameras via the on-screen display:



On-Screen Display  
Main Menu



Included Remote Control

*Both cameras programming features can be fully customized depending on lighting conditions:*

- ▶ Digital slow shutter
- ▶ Digital noise reduction
- ▶ Manual or automatic gain control
- ▶ Manual or automatic backlight compensation
- ▶ Lens, brightness, and sharpness adjustments

## Wide Dynamic Range (WDR)

*The ENFORCER EV-2625-NKEQ is the ideal solution to protect areas in difficult lighting conditions. Locations with lighting difficulties such as extreme overexposure or underexposure can be clearly seen.*

Typical Underexposure



Wide Dynamic Range



DIGITAL  
**PIXEL**<sup>®</sup>  
SYSTEM  
FROM PIXIM

## Digital Noise Reduction (DNR)

*The ENFORCER EV-2615-NKEQ protects areas in the worst of lighting conditions. Programmable Digital Noise Reduction, Gain Control, and Digital Slow Shutter provide video images in almost total darkness.*

Typical Day/Night Camera rated at 0.1 lux



*Actual comparison photos. Taken 15 minutes before sunrise.*

EV-2615-NKEQ rated at 0.002 lux



**Table 2: Specifications**

Model Number	EV-2605-NKEQ	EV-2606-NJEQ
Varifocal lens	2.8-11.0 mm	3.8-9.5 mm
Minimum illumination	0.03 lux / F1.2	0 lux IR LEDs on
Power consumption @ 24VAC	Max. 4.8Watts	Max: 12Watts
Power consumption @ 12VDC	Max. 250mA	Max: 650mA
Image sensor	1/3" Sony Super HAD CCD	
Resolution	550 TV lines	
Pickup elements	768 x 494 pixels	
Sync	Internal	
Video output	1 Vp-p composite output, 75 Ohms.	
Shutter speed	1/60 sec.	
Iris control	DC auto iris	
Gain control	Auto	
Gamma correction	0.45	
White balance	ATW /AWC selectable	
Backlight compensation	ON/OFF selectable	
S/N ratio	> 48dB (AGC off)	
Power source (+/-10%)	24VAC or 12VDC	
Ambient temperature	-14° ~ 122° F (-10° ~ 50° C)	
Weight	4 lbs. 6 oz. (2.0 kg)	
Dimensions	5 <sup>11</sup> / <sub>16</sub> " x 4 <sup>1</sup> / <sub>16</sub> " (145 x 103mm)	

**Table 3: Specifications**

	EV-2615-NKEQ	EV-2625-NKEQ
Image sensor	1/3" Sony Super HAD CCD	1/3" Pixim DPS Image Sensor
Resolution	520 TV lines color, 540 TV lines B/W	540 TV lines
Pickup elements	768 x 494 pixels	720 x 540 pixels
Wide dynamic range (WDR)	N/A	Normal - 102dB, Max. - 120dB
Digital noise reduction	High / Middle / Low / OFF	ON/OFF
Shutter speed	x128 speed - 1/60 ~ 1/120,000 sec	1/60 ~ 1/30,720 secs.
Minimum illumination	0.002 Lux	0.4 Lux color, 0.08 Lux DSS ON
Power consumption @ 24VAC	Max. 5.5VA	Max. 4.8VA
Power consumption @ 12VDC	Max: 220mA	Max: 240mA
Varifocal lens	2.8 ~ 11.0 mm	
Digital slow shutter (DSS)	OFF, ON: 2x ~ 32x	
On-screen display (OSD)	Built-in	
Sync	Internal	
Iris control	DC auto iris	
Gain control	Auto	
White balance	ATW / AWC / Manual	
Video output	1 Vp-p composite output, 75 Ohms.	
S/N ratio	> 50dB (AGC off)	
Power source (+/-10%)	24VAC or 12VDC	
Ambient temperature	14° ~ 122° F (-10° ~ 50° C)	
Weight	4 lbs. 6 oz. (2.0 kg)	
Dimensions	5 <sup>11</sup> / <sub>16</sub> " x 4 <sup>1</sup> / <sub>16</sub> " (145 x 103mm)	